

THIS DRAWING TRACED FROM MFR'S. DWG. NO. GA-1007

END FITTING PURCH. FROM  
EATON MANUFACTURING CO.  
CLEVELAND, OHIO  
PART NO. GA-1007

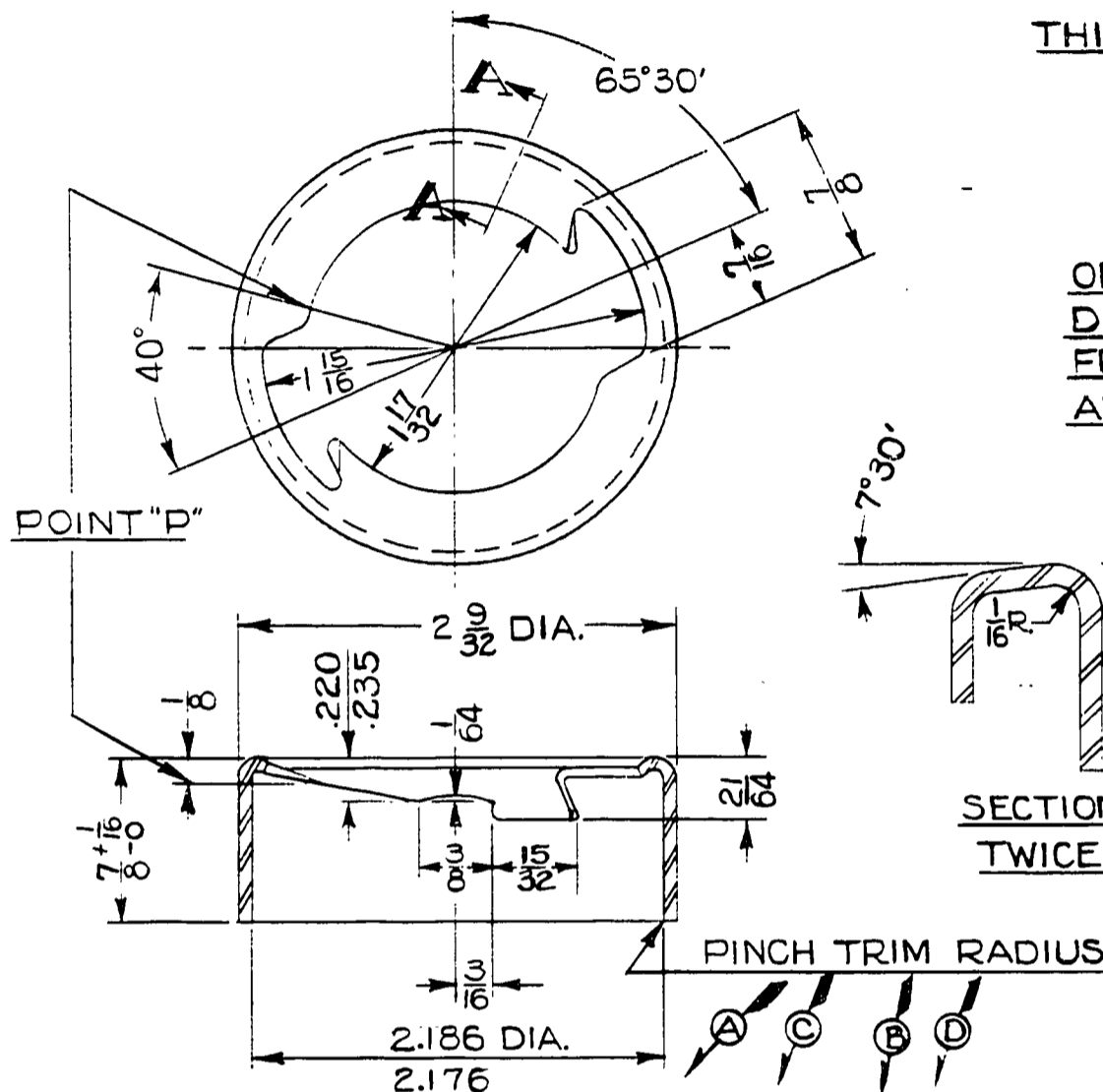
OPENING TO BE CONCENTRIC WITH OUTSIDE  
DIA. TOP MUST BE FLAT WITHIN .010 & CAMS  
FREE FROM BURRS TO PROVIDE FREE ROTATION  
AND SATISFACTORY SEAL OF CAP.

MUST BE FREE FROM BURRS &  
DRAW SCRATCHES.

UNLESS OTHERWISE SHOWN TOLERANCE  
TO BE  $\pm .010$

FINISH-CADMIUM PLATED

ORDNANCE B 246001



SECTION A-A  
TWICE SIZE



		.050 $\pm .004$	C.R. STEEL COIL
PART NO.	NO. REQ.	SIZE	DESCRIPTION
		MATERIAL	
SCALE FULL SIZE & NOTED		TOTAL WT.-LBS.	
FINISH-PIPER SPECIFICATION # 10			
MANUFACTURING PRACTICES-PIPER SPECIFICATION # 9			
FLANGE-FUEL TANK FILLER CAP (PURCHASED)			
C.K.	L.E.K.	<b>74181</b>	
3-18-43	7-15-43		
DRAFTSMAN	CHECKER	STANDARDS	

LET	REVISION	DATE	BY	MODEL	PER PLANE	NEXT ASSEMBLY	SUPERSEDES	SUP. BY
F	REDRAWN WITHOUT CHANGE	6-15-51	L.E.M.	91067	2			
E	FINISH NOTE ADDED	3-7-47	H.M.Z.	70131	1 OR 2			
D	J5C N.A. 10377 WAS 91067	12-14-45	H.R.K.	70131	1			
C	J5C PER SHIP WAS 1 OR 2	11-2-45	L.E.K.	10377	2			
B	J5C N.A. 91067 WAS 70131	11-2-45	L.E.K.	70131	1			
A	L-14 MODEL REF. ADDED	7-5-45	I.M.M.	70131	1			
				<b>PIPER AIRCRAFT CORP.</b> LOCK HAVEN, PENNA.				

THIS DRAWING IS THE PROPERTY OF THE PIPER AIRCRAFT CORP.  
AND ITS POSSESSION BY UNAUTHORIZED PERSONS SHALL NOT BE  
CONSTRUED AS PERMISSION TO REPRODUCE FOR SALE IN WHOLE  
OR IN PART ANY DEVICES SHOWN THEREON.

**PIPER AIRCRAFT CORP.**  
LOCK HAVEN, PENNA.

C.K.  
3-18-43  
DRAFTSMAN

L.E.K.  
7-15-43  
CHECKER

STANDARDS

**A359**